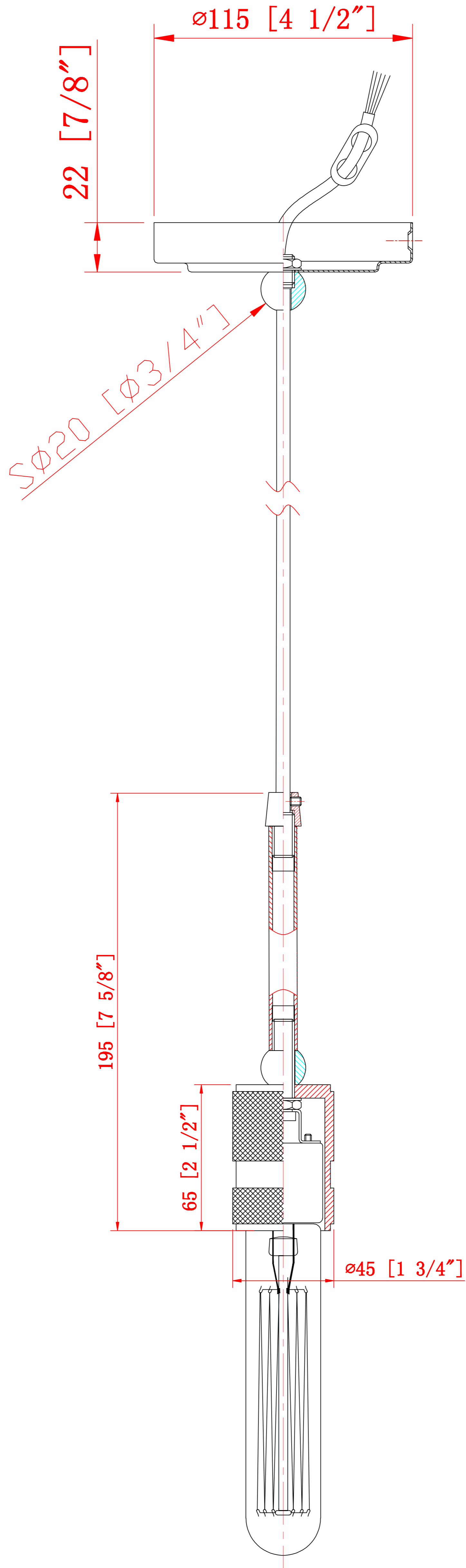


R&D  
2019.11.05  
DengMark



INNOVATIONS LIGHTING  
DESIGN COPYRIGHT - 10/30/2019  
ALL RIGHTS RESERVED AND MAY  
NOT BE DUPLICATED WITHOUT OUR  
WRITTEN PERMISSION

ITEM: 444-1P