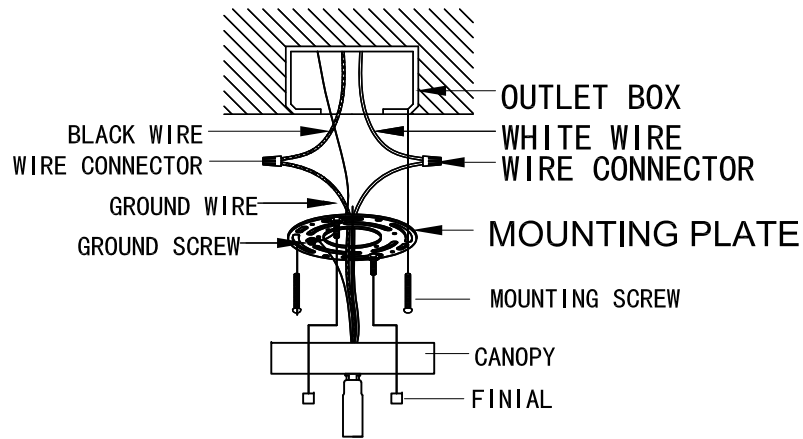


STANDARD MOUNTING PLATE INSTALLATION INSTRUCTIONS



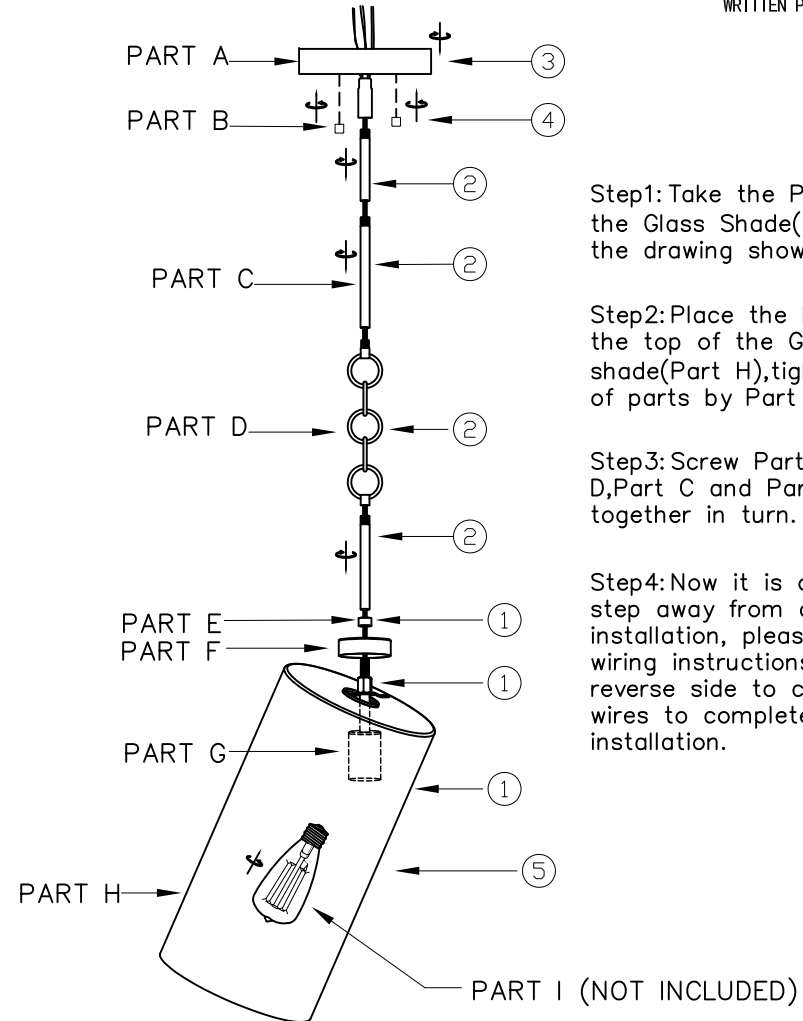
CAUTION: DISCONNECT POWER DURING INSTALLATION

- 1.) If you are replacing an existing fixture, disconnect and remove the old fixture. Expose the supply wiring from the outlet box.
- 2.) Thread the machine screws into the opposite side of the mounting plate from the green ground screw, lock the machine screws into place with lock nuts.
- 3.) Fasten the mounting plate to the outlet box using the two screws supplied with the outlet box.
- 4.) Spread the electrical wires so that the black wires are on one side of the outlet box and the white wires are on the other side.
- 5.) Grounding instructions:
 - A.) On fixtures where mounting plate is provided with a green ground screw and two raised dimples, Wrap ground wire from outlet box around green ground screw and tighten.
 - B.) On fixtures where mounting plate is provided with a green ground wire attached. Connect mounting plate ground wire to ground wire from outlet box with wire connector(not provided). If fixture is provided with ground wire. Connect fixture ground wire to ground wire from outlet box with wire connector (not provided). After following the above steps. Never connect ground wire to black or white power supply wires.
 - 6.) To make electrical connections: Connect the white wire(s) from the fixture to the white wire of this outlet box. Connect the black wire(s) from the fixture to the black wire of the outlet box. NOTE: Black outlet box wire may be red, round & smooth and/or have copper conductor. White outlet box wire may be square & ridged and/or have a silver conductor.
 - 7.) Place fixture against mounting surface allowing the machine screws to pass through the fixture canopy. then, secure the knob nuts tight.

ITEM: ITEM:380-1S

Available finish: BK, BB, SN

DESIGN COPYRIGHT - 10/11/2021
ALL RIGHTS RESERVED AND MAY
NOT BE DUPLICATED WITHOUT OUR
WRITTEN PERMISSION



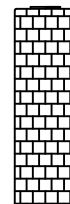
Step1: Take the Part G into the Glass Shade(Part H) as the drawing shown.

Step2: Place the Part F onto the top of the Glass shade(Part H),tightening all of parts by Part E.

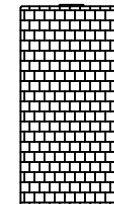
Step3: Screw Part E,Part D,Part C and Part A together in turn.

Step4: Now it is only one step away from complete installation, please follow the wiring instructions on the reverse side to connect the wires to complete the final installation.

Shade style



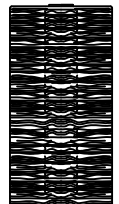
G380-4CL



G380-8CL



G381-4CL



G381-8CL