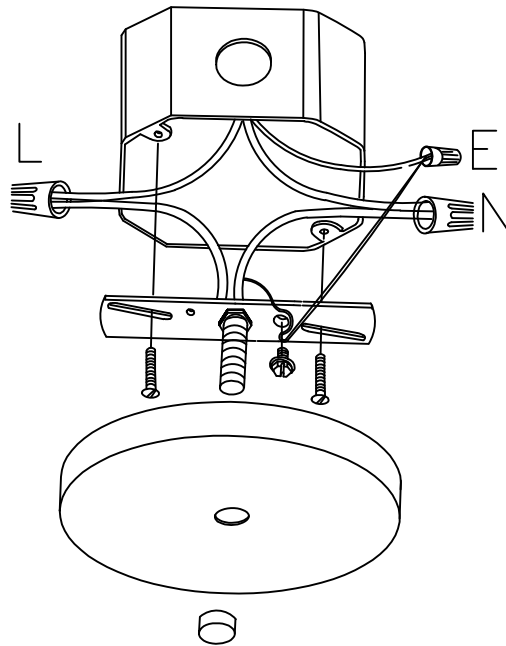


STANDARD MOUNTING PLATE INSTALLATION INSTRUCTIONS

 **INNOVATIONS LIGHTING**
CREATIVITY MEETS EVOLUTIONARY DESIGN®



CAUTION: DISCONNECT POWER DURING INSTALLATION

1.) If you are replacing an existing fixture, disconnect and remove the old fixture. Expose the supply wiring from the outlet box.

2.) Attach mounting bar with threaded nipple and screw collar loop and lock ring to outlet box secured with two box screws.

3.) Raise canopy up to slide over the screw collar loop secured with lock ring under ceiling

4.) Pull out the wires and ground wire from the outlet box and fixture

wires. Make wire connections with wire nuts. --Ribbed wire (W/O marking) or white wire from fixture to White wire from power source. --Smooth wire (W marking) or black wire from fixture to Black wire from power source. --Attach the ground wires to mounting bar with a ground screw after wire connections, carefully Tuck the wires into the junction box.

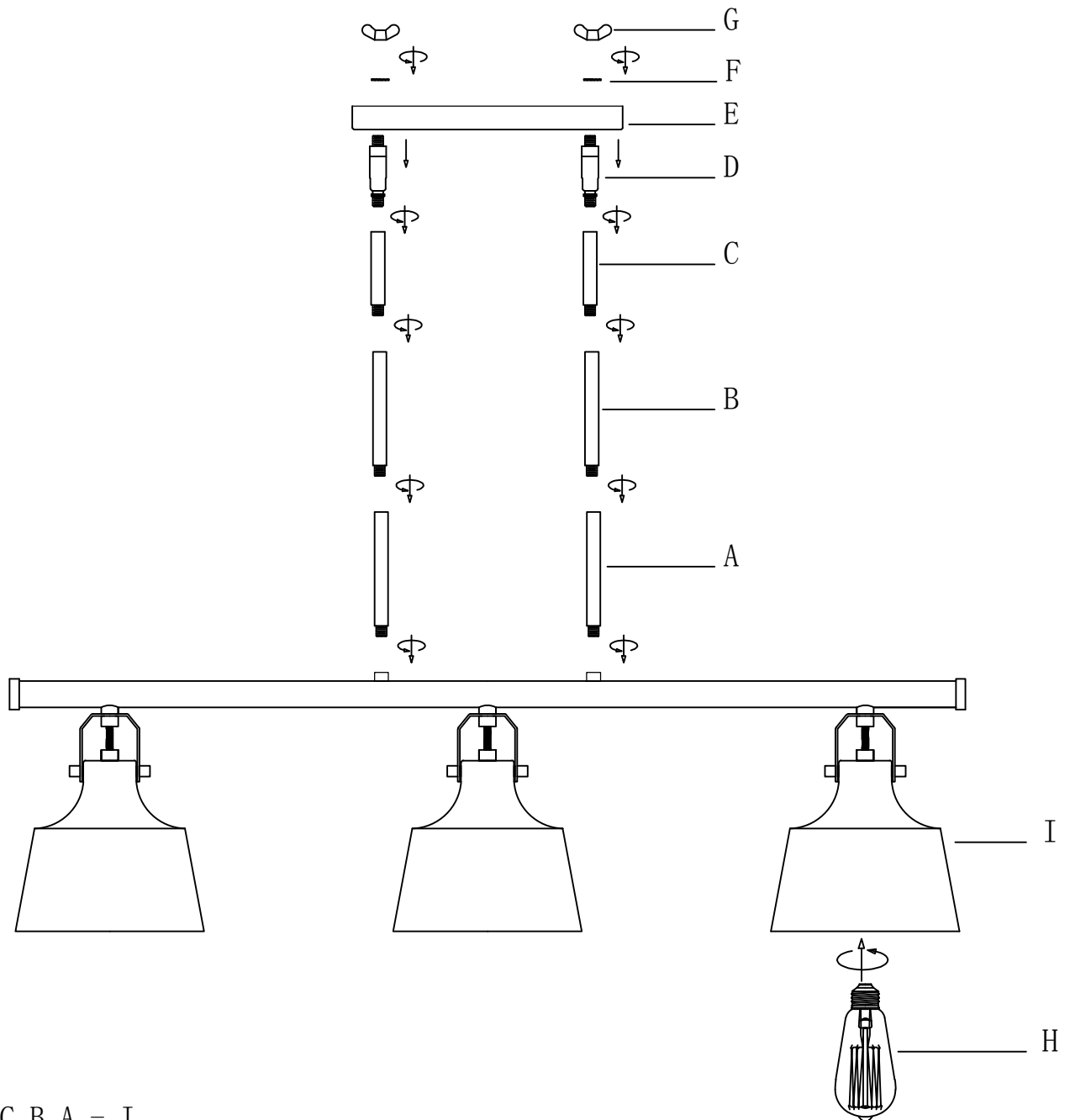
5.) Raise canopy against ceiling and lock it in position by lock ring onto the screw collar loop.

6.) In accordance with the fixture's specifications. Do not exceed the maximum wattage.

ITEM: 370-3I-M

 **INNOVATIONS LIGHTING**
CREATIVITY MEETS EVOLUTIONARY DESIGN®

DESIGN COPYRIGHT - 03/24/2021
ALL RIGHTS RESERVED AND MAY
NOT BE DUPLICATED WITHOUT OUR
WRITTEN PERMISSION



D C B A - I
G F E - D
H - I