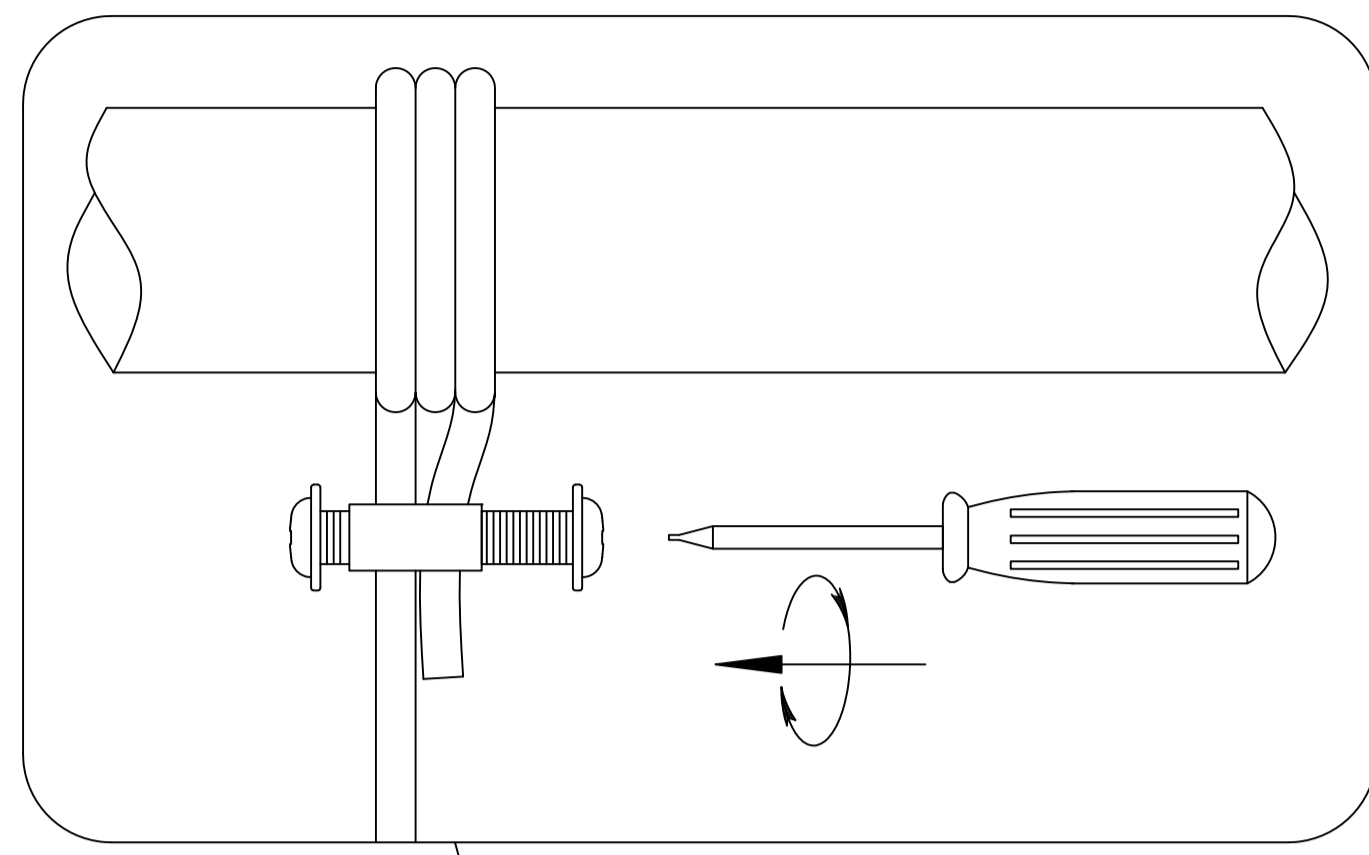


DESIGN COPYRIGHT - 11/15/2023

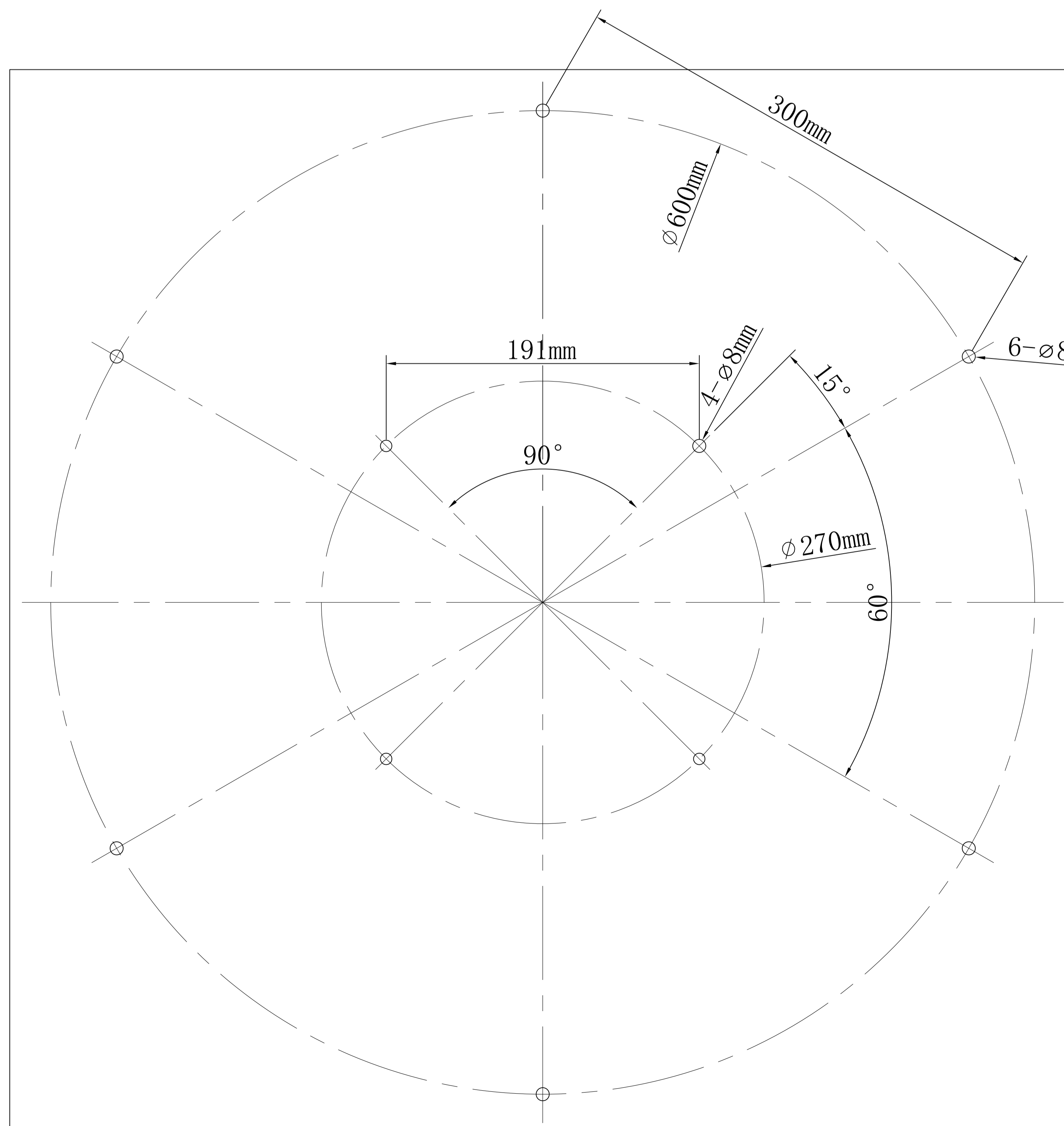
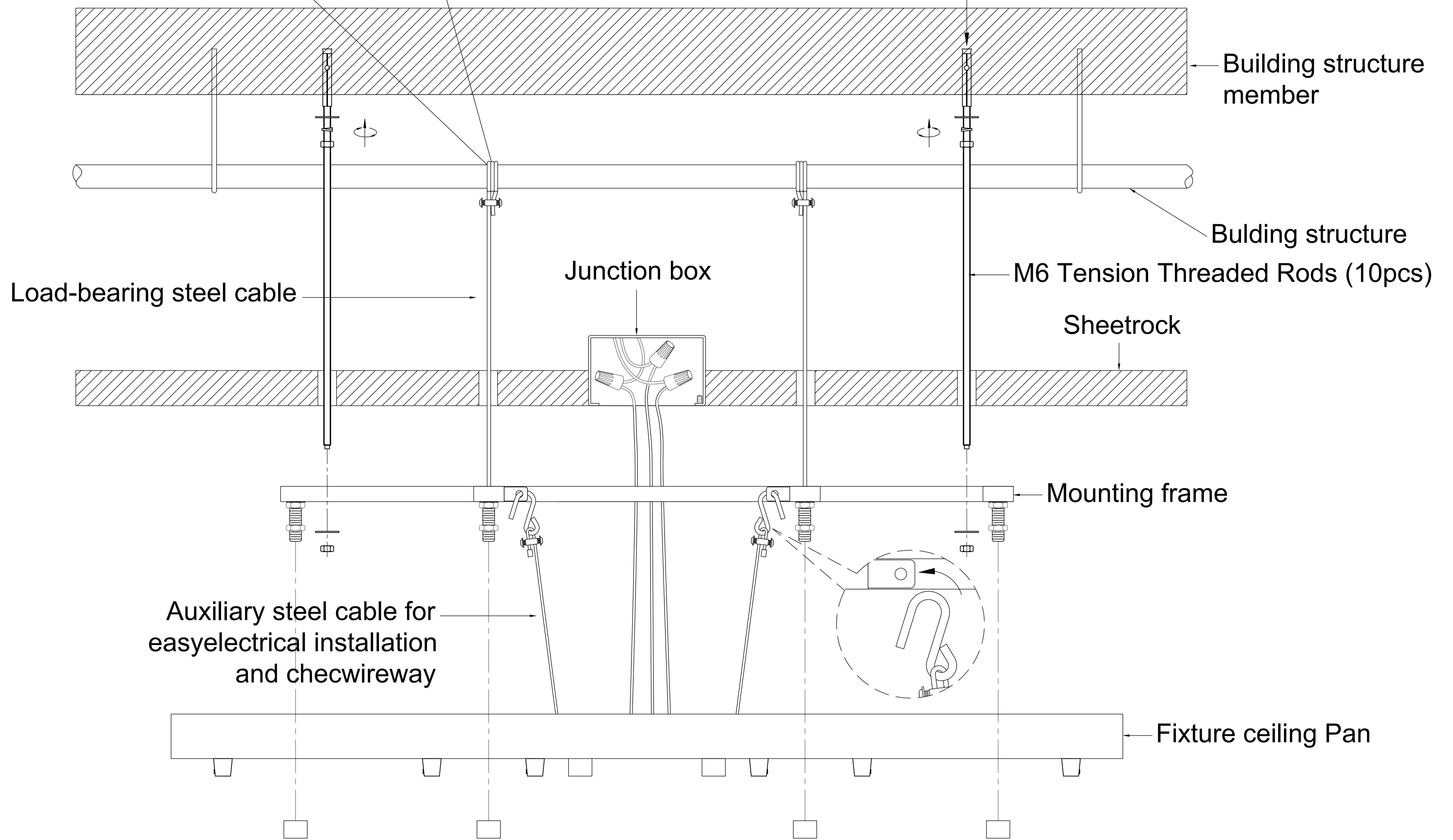
ALL RIGHTS RESERVED AND MAY NOT BE DUPLICATED WITHOUT OUR WRITTEN PERMISSION

Wrap steel cable around Building structure and lock the cables



Note: Because the height between the building structure member and the sheetrock is determined according to the actual installation height, the tension threaded rods used to connect the installation bracket between the building structure member and the building structure member has no exact length, and the tension threaded rods ultimately need to be purchased with accessories to complete the connection installation.

Steel Cable Lock bushing



THE POSITIONS OF ALL THREAD ROD