

Assembly Instruction Sheet #IS-9915T

For Style 9915T

Tools Required: Flathead screwdriver, Phillips screwdriver, pliers, wire cutters, wire strippers, electrical tape, safety glasses.

Light Source: (1) E26 Base Bulb 60W Maximum(Not Include).

Preparation: Identify and inspect all parts before beginning installation. Check package content list and diagrams below to be sure all parts are present. If any parts are missing or damaged, do not attempt to assemble, install, or operate the fixture. Contact customer service for replacement parts.

⚠ Warnings and Cautions

Turn off electricity at circuit breaker or main fuse box before installation. Consult a licensed electrician if in doubt.

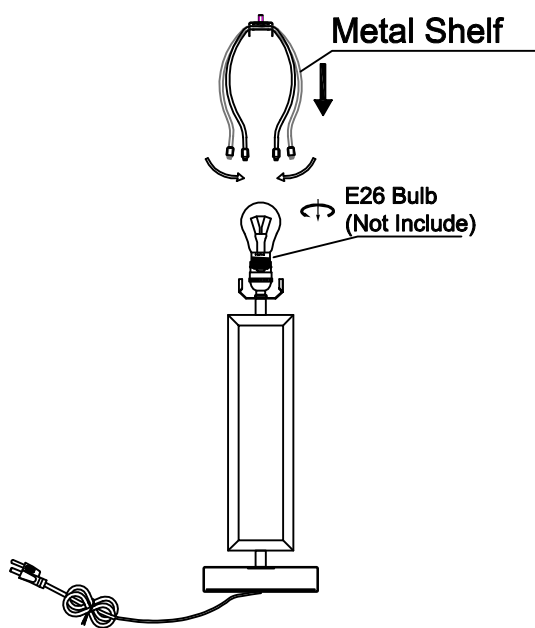
These instructions are provided for your safety. It is very important you read them completely before installing the fixture.

We strongly recommend that a licensed, professional electrician perform the installation.

Disconnect fixture from power source before replacing bulbs. Make sure bulbs are given sufficient time to cool before removal.

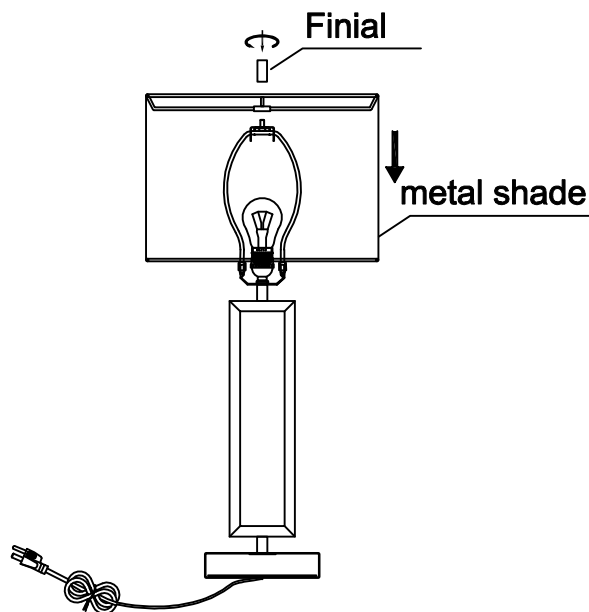
STEP 1 -Install Bulbs.

- String the small Metal Shelf to fix it into the Socket Holder.
- Install bulbs into sockets and screw snug into place.



STEP 2 -Install metal shade.

- put the metal shade on the Fixture Body, and lock with Finial



IMPORTANT SAFETY INSTRUCTIONS:

This portable luminaire has a polarized plug (one blade is wider than the other) as a feature to reduce the risk of electric shock. This plug will fit in a polarized outlet only one way. If the plug does not fit fully in the outlet, reverse the plug. If it still does not fit, contact a qualified electrician. Never use with an extension cord unless plug can be fully inserted. Do not alter the plug."

INSTRUCTIONS DE SÉCURITÉ IMPORTANTES:

Ce lampe portable dispose d'une fiche polarisée (une lame est plus large que l'autre) comme une caractéristique pour réduire le risque d'électrocution. Cette prise s'adaptera à une sortie polarisée d'une manière unique. Si la fiche ne rentre pas complètement dans la prise, inversez la fiche. Si elle ne correspond toujours pas, contactez un électricien qualifié. N'utilisez jamais avec une rallonge à moins que la fiche ne soit complètement insérée. Ne modifiez pas la fiche. "