

Assembly Instruction Sheet #IS-9836P17

For Style 9836P17

Tools Required: Flathead screwdriver, Phillips screwdriver, pliers, wire cutters, wire strippers, electrical tape, safety glasses.
Light Source: (4) E12 Candleabra Base Bulbs 60W Maximum (Not Include).
Preparation: Identify and inspect all parts before beginning installation. Check package content list and diagrams below to be sure all parts are present. If any parts are missing or damaged, do not attempt to assemble, install, or operate the fixture. Contact customer service for replacement parts.

⚠ Warnings and Cautions
 Turn off electricity at circuit breaker or main fuse box before installation. Consult a licensed electrician if in doubt. These instructions are provided for your safety. It is very important you read them completely before installing the fixture. We strongly recommend that a licensed, professional electrician perform the installation. Disconnect fixture from power source before replacing bulbs. Make sure bulbs are given sufficient time to cool before removal.

Package Contents

- 14mmX6 63mmX1 Crystal X4
- 14mmX2 40mmX1 Crystal X1
- Fixture Body X1

- Bobecche X4
- Candle Cover X4
- Ceiling Canopy X1
- 14mmX1 63mmX1 Crystal X16
- 14mmX8 63mmX1 Crystal X4
- 14mmX3 40mmX1 Crystal X1

Hardware Contents		
PART	DESCRIPTION	QUANTITY
BB	Wire nut	2pcs
EE	Screw	2pcs

STEP 1 – Install the Canopy Chain Loop and Nipple

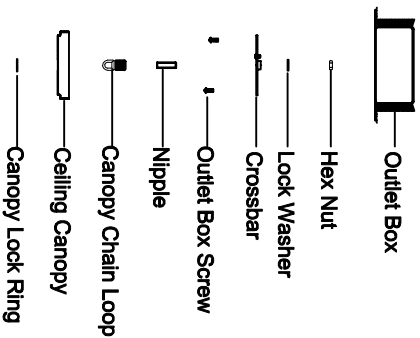


Figure 1

STEP 2 - Install the Fixture Chain and Ceiling Canopy

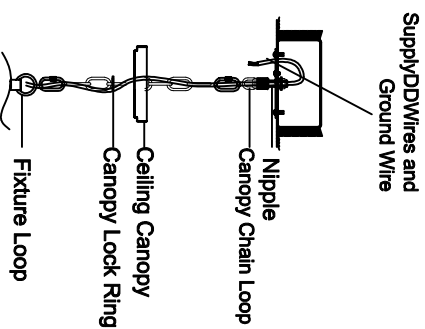


Figure 2

STEP 4 - Install Bobecche, Candle Cover and bulb

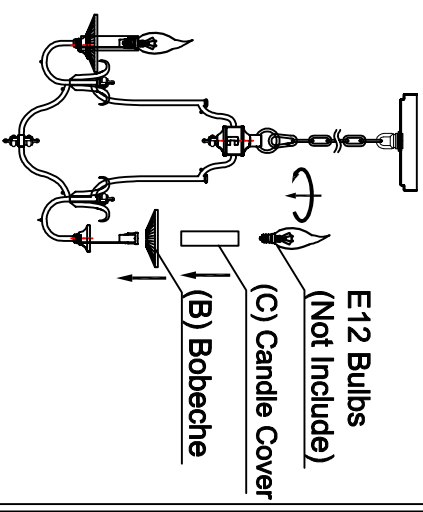


Figure 4

STEP 3 - Wire Connections

A. Use standard wire connectors (not included) to make all wire connections. Twist connectors until wires are tightly joined together. Wrap each connection with approved electrical tape and carefully stuff all the connected wires into the Outlet Box.

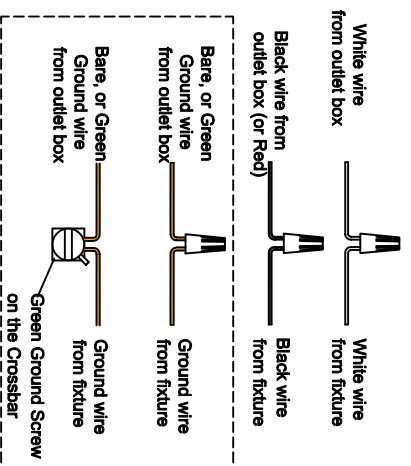


Figure 3

STEP 5 - Install Crystals.

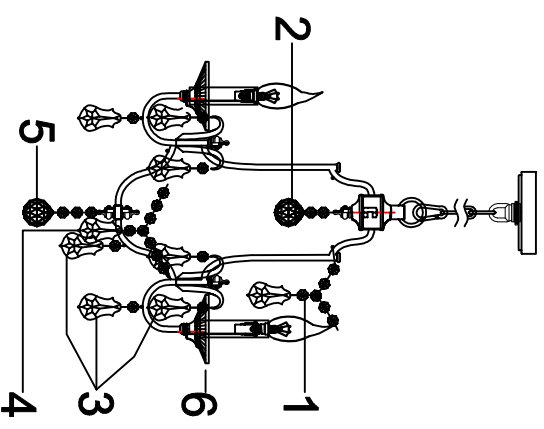


Figure 5