

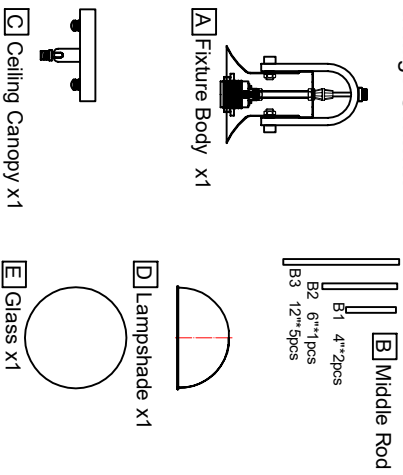
Assembly Instruction Sheet #S-9760P12 For Style 9760P12

Tools Required: Flathead screwdriver, Phillips screwdriver, pliers, wire cutters, wire strippers, electrical tape, safety glasses.
Light Source: (1) E26 Base Bulb 60W Maximum.
Preparation: Identify and inspect all parts before beginning installation. Check package content list and diagrams below to be sure all parts are present. If any parts are missing or damaged, do not attempt to assemble, install, or operate the fixture. Contact customer service for replacement parts.

Warnings and Cautions

Turn off electricity at circuit breaker or main fuse box before installation. Consult a licensed electrician if in doubt. These instructions are provided for your safety. It is very important you read them completely before installing the fixture. We strongly recommend that a licensed, professional electrician perform the installation. Disconnect fixture from power source before replacing bulbs. Make sure bulbs are given sufficient time to cool before removal.

Package Contents



| Hardware Contents | | |
|-------------------|-------------|----------|
| PART | DESCRIPTION | QUANTITY |
| BB | Wire nut | 2pcs |
| CC | Screw | 2pcs |



STEP 1 - Release Mounting bracket from Ceiling Canopy.

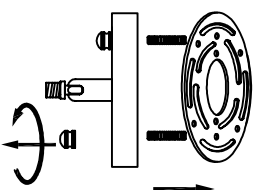


Figure 1

STEP 2 - Install Middle Rods, Ceiling Canopy to Fixture Body.

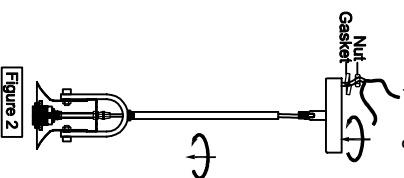


Figure 2

STEP 3 - Attach Mounting bracket to Outlet Box

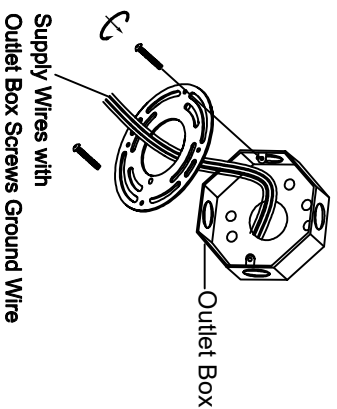


Figure 3

STEP 5 - Install Ceiling Canopy to Ceiling

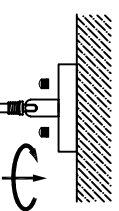


Figure 5

STEP 4 - Wire Connections

A. Use standard wire connectors to make all wire connections. Twist connectors until wires are tightly joined together. Wrap each connection with approved electrical tape and carefully stuff all the connected wires into the Outlet Box.

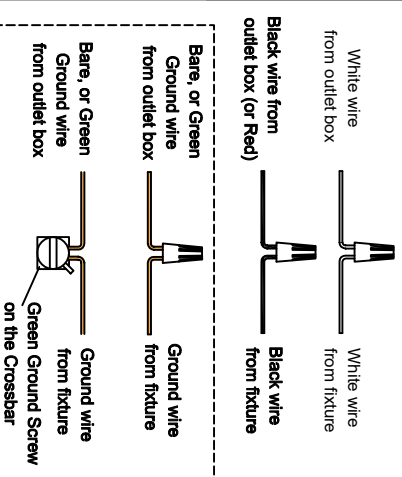


Figure 4

STEP 6 - Install bulb and glass.

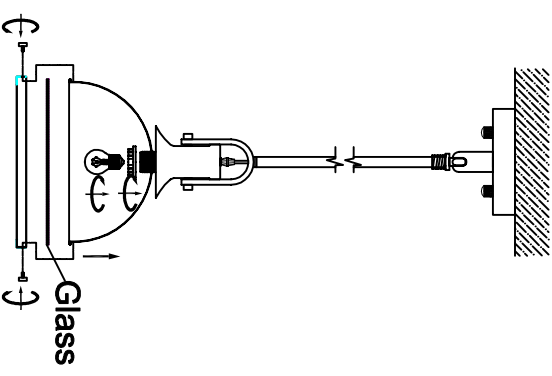


Figure 6