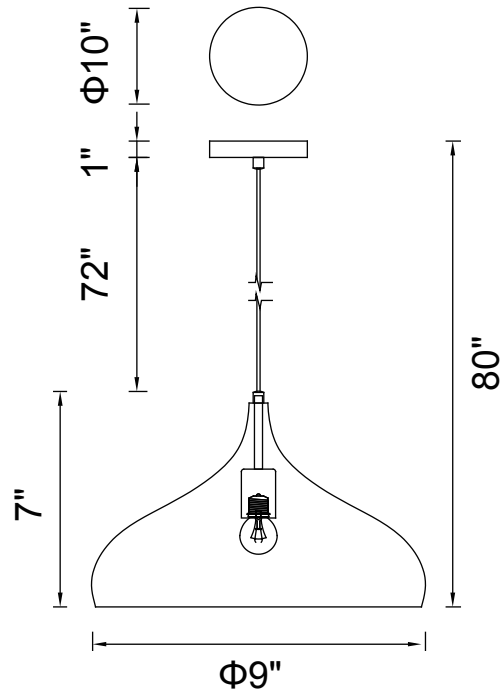




PROJECT: _____
 FIXTURE TYPE: _____
 LOCATION: _____
 CONTACT/PHONE: _____



Item	9633P9-1-101
Collection	DYNAMIC
Category	Mini Pendant
Finish	Black
Glass	-----
Crystal	-----
Acrylic	-----

Shade Color	-----
Min Assembled Height	9"
Max Assembled Height	80"
Width	9"
Length	-----
Extension Wall Mounts	-----
Input	120V AC,60HZ,AC

Lumens	-----
Light Source	E26
Bulb Info.	1x60W
Included	-----
Dimmable	Yes
Colour Temp	-----
Weight	1.67 Lbs

CWI Lighting
 2775 Broadway
 Buffalo, NY 14227
 USA

CWI Lighting
 140 Steelcase Rd. W.
 Markham ON. L3R 3J9
 Canada

Dallas Showroom
 Showroom #: 4707
 2100 N. Stemmons Frwy.
 Dallas, TX 75207

Email: info@cwilighting.com
 Toll: 1-877-564-6034
 www.cwilighting.com

