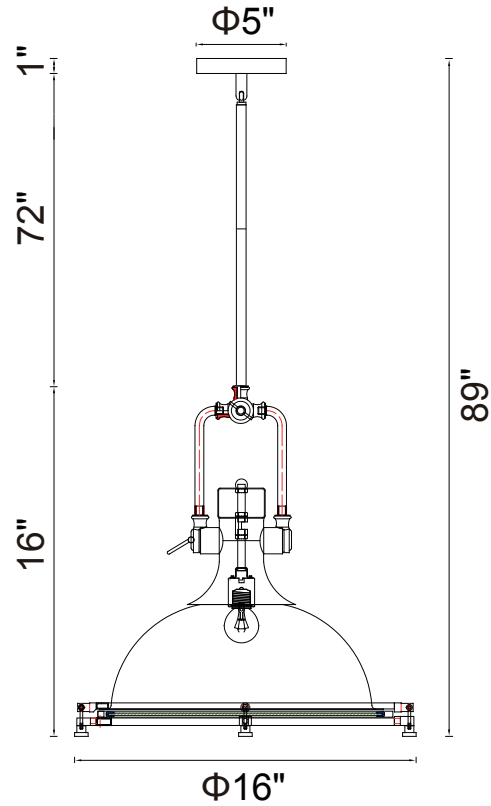




PROJECT: _____
 FIXTURE TYPE: _____
 LOCATION: _____
 CONTACT/PHONE: _____



| | |
|------------|---------------|
| Item | 9602P16-1-601 |
| Collection | SHOW |
| Category | Mini Pendant |
| Finish | Chrome |
| Glass | Frosted |
| Crystal | ----- |
| Acrylic | ----- |

| | |
|-----------------------|-----------------|
| Shade Color | ----- |
| Min Assembled Height | 18" |
| Max Assembled Height | 89" |
| Width | 16" |
| Length | ----- |
| Extension Wall Mounts | ----- |
| Input | 120V AC,60HZ,AC |

| | |
|--------------|-----------|
| Lumens | ----- |
| Light Source | E26 |
| Bulb Info. | 1x60W |
| Included | ----- |
| Dimmable | Yes |
| Colour Temp | ----- |
| Weight | 12.35 Lbs |

CWI Lighting
 2775 Broadway
 Buffalo, NY 14227
 USA

CWI Lighting
 140 Steelcase Rd. W.
 Markham ON. L3R 3J9
 Canada

Dallas Showroom
 Showroom #: 4707
 2100 N. Stemmons Frwy.
 Dallas, TX 75207

Email: info@cwilighting.com
 Toll: 1-877-564-6034
 www.cwilighting.com

