

Assembly Instruction Sheet #IS-8311P32C-19 (Clear) For Style 8311P32C-19 (Clear)

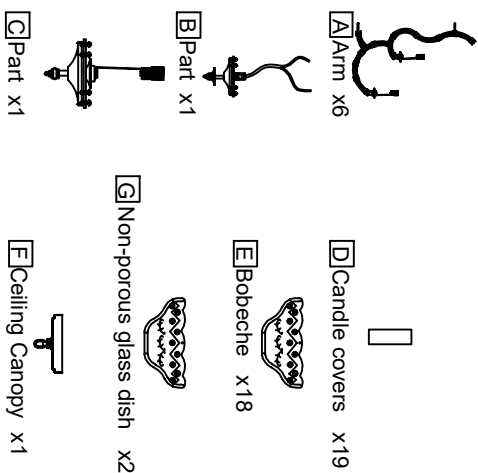
Tools Required: Flathead screwdriver, Phillips screwdriver, pliers, wire cutters, wire strippers, electrical tape, safety glasses.
Light Source: (19) E12 Candelabra Base Bulbs 60W Maximum (Not Included).
Preparation: Identify and inspect all parts before beginning installation. Check package content list and diagrams below to be sure all parts are present. If any parts are missing or damaged, do not attempt to assemble, install, or operate the fixture. Contact customer service for replacement parts.

Warnings and Cautions

Turn off electricity at circuit breaker or main fuse box before installation. Consult a licensed electrician if in doubt. These instructions are provided for your safety. It is very important you read them completely before installing the fixture. We strongly recommend that a licensed, professional electrician perform the installation. Disconnect fixture from power source before replacing bulbs. Make sure bulbs are given sufficient time to cool before removal.

Package Contents

14mmx7PCS 16mmx1PCS 63mmx1PCS	14mmx1PCS 63mmx1PCS	14mmx1PCS 50mmx1PCS
14mmx9PCS 16mmx1PCS 63mmx1PCS	14mmx2PCS 63mmx1PCS	14mmx3PCS 63mmx1PCS
14mmx6PCS 63mmx1PCS	14mmx10PCS 63mmx1PCS	14mmx10PCS 40mmx1PCS
14mmx10PCS 16mmx1PCS 63mmx1PCS	14mmx13PCS 16mmx1PCS 63mmx1PCS	14mmx2PCS 40mmx1PCS

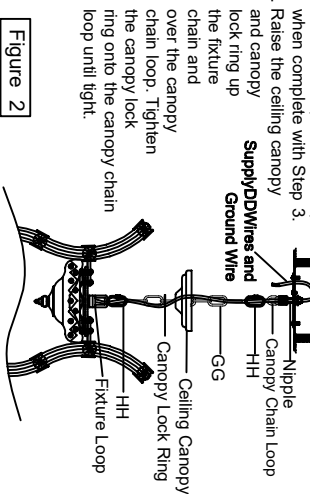


PART	DESCRIPTION	QUANTITY
BB	Wire nut	2pcs
EE	Screw	2pcs

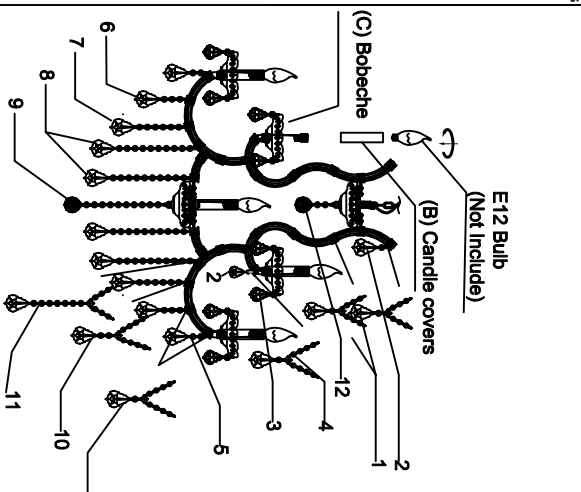


STEP 2 - Install the Fixture Chain and Ceiling Canopy

- Adjust the fixture chain to your desired length by removing links if needed.
- Pull the supply wires through the fixture chain alternating links. After the wires are through the fixture chain, pull the supply wires and the ground wire through the canopy lock ring and the ceiling canopy in order.
- Attach one end of the fixture chain to the fixture loop with one quick link. Lift the fixture and fixture chain up and attach the other end of the fixture chain onto the canopy chain loop with another quick link. The fixture will now hang safely.
- Feed the supply wires and ground wire through the canopy chain loop and nipple into the outlet box. Cut the wires leaving approximately 8" of wire extending from the outlet box.
- Go to Step 3 for wire connections and follow the directions.
- Return to Step F in this step when complete with Step 3.
- Raise the ceiling canopy and canopy chain loop up and lock ring up the fixture chain and over the canopy chain loop. Tighten the canopy lock ring onto the canopy chain loop until tight.

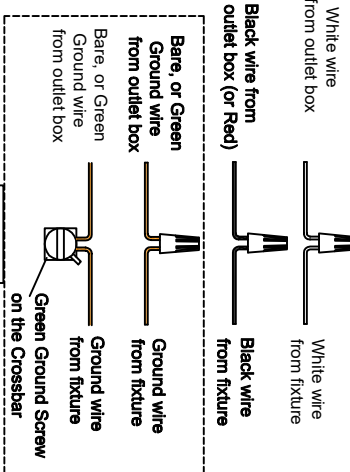


STEP 4 - Install Crystals and bulb.



STEP 3 - Wire Connections

A. Use standard wire connectors (not included) to make all wire connections. Twist connectors until wires are tightly joined together. Wrap each connection with approved electrical tape and carefully stuff all the connected wires into the Outlet Box.



STEP 1 - Install the Canopy Chain Loop and Nipple

- Thread the nipple into the crossbar. Thread the lock washer and the hex nut onto top end of the nipple. Do not tighten at this moment.
- Attach the crossbar to the outlet box and secure with outlet box screws (not included). Hand tighten until snug.
- Thread the canopy chain loop onto the end of the nipple and hand tighten until snug. Place the ceiling canopy over the canopy chain loop against the ceiling to determine the correct position of the nipple.
- Thread the canopy lock ring onto the canopy chain loop. Adjust the nipple to allow the ceiling canopy to rest against the ceiling when held in place by the canopy lock ring. Remove the canopy lock ring from the canopy chain loop and remove the ceiling canopy. Unscrew outlet box screws to remove the crossbar assembly. Tight the hex nut above the crossbar. And then reinstall the crossbar assembly to the outlet box.

