

Assembly Instruction Sheet #IS-8012P20G For Style 8012P20G

Tools Required: Flathead screwdriver, Phillips screwdriver, pliers, wire cutters, wire strippers, electrical tape, safety glasses.
Light Source: (8) E12 Candelabra Base Bulbs 60W Maximum (Not Include).
Preparation: Identify and inspect all parts before beginning installation. Check package content list and diagrams below to be sure all parts are present. If any parts are missing or damaged, do not attempt to assemble, install, or operate the fixture. Contact customer service for replacement parts.

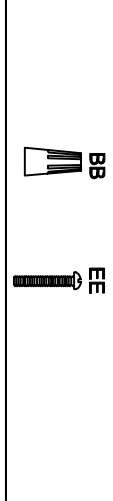
Warnings and Cautions

Turn off electricity at circuit breaker or main fuse box before installation. Consult a licensed electrician if in doubt. These instructions are provided for your safety. It is very important you read them completely before installing the fixture. We strongly recommend that a licensed, professional electrician perform the installation.
 Disconnect fixture from power source before replacing bulbs. Make sure bulbs are given sufficient time to cool before removal.

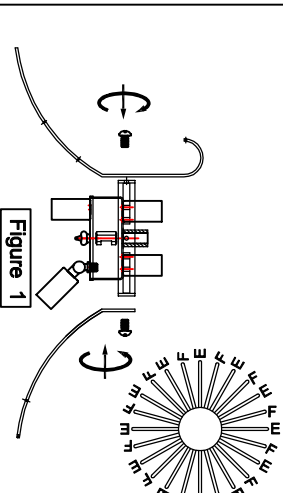
Package Contents

- A Fixture Body x1
- B Metal frame x1
- C Middle rod x1
- D Ceiling Canopy x1
- E Strap iron x12
- F Strap iron x12
- G
- 1 14mmx7
- 2 14mmx3
- 3 14mmx5
- 4 14mmx8
- 5 14mmx9
- 6 14mmx3
- 7 14mmx8
- 8 14mmx9
- 9 14mmx3
- 10 14mmx8
- 11 14mmx9
- 12 14mmx3
- 13 14mmx8
- 14 14mmx9
- 15 14mmx3
- 16 14mmx8
- 17 14mmx9
- 18 14mmx3
- 19 14mmx8
- 20 14mmx9
- 21 14mmx3
- 22 14mmx8
- 23 14mmx9
- 24 14mmx3
- 25 14mmx8
- 26 14mmx9
- 27 14mmx3
- 28 14mmx8
- 29 14mmx9
- 30 14mmx3
- 31 14mmx8
- 32 14mmx9
- 33 14mmx3
- 34 14mmx8
- 35 14mmx9
- 36 14mmx3
- 37 14mmx8
- 38 14mmx9
- 39 14mmx3
- 40 14mmx8
- 41 14mmx9
- 42 14mmx3
- 43 14mmx8
- 44 14mmx9
- 45 14mmx3
- 46 14mmx8
- 47 14mmx9
- 48 14mmx3
- 49 14mmx8
- 50 14mmx9
- 51 14mmx3
- 52 14mmx8
- 53 14mmx9
- 54 14mmx3
- 55 14mmx8
- 56 14mmx9
- 57 14mmx3
- 58 14mmx8
- 59 14mmx9
- 60 14mmx3
- 61 14mmx8
- 62 14mmx9
- 63 14mmx3
- 64 14mmx8
- 65 14mmx9
- 66 14mmx3
- 67 14mmx8
- 68 14mmx9
- 69 14mmx3
- 70 14mmx8
- 71 14mmx9
- 72 14mmx3
- 73 14mmx8
- 74 14mmx9
- 75 14mmx3
- 76 14mmx8
- 77 14mmx9
- 78 14mmx3
- 79 14mmx8
- 80 14mmx9
- 81 14mmx3
- 82 14mmx8
- 83 14mmx9
- 84 14mmx3
- 85 14mmx8
- 86 14mmx9
- 87 14mmx3
- 88 14mmx8
- 89 14mmx9
- 90 14mmx3
- 91 14mmx8
- 92 14mmx9
- 93 14mmx3
- 94 14mmx8
- 95 14mmx9
- 96 14mmx3
- 97 14mmx8
- 98 14mmx9
- 99 14mmx3
- 100 14mmx8
- 101 14mmx9
- 102 14mmx3
- 103 14mmx8
- 104 14mmx9
- 105 14mmx3
- 106 14mmx8
- 107 14mmx9
- 108 14mmx3
- 109 14mmx8
- 110 14mmx9
- 111 14mmx3
- 112 14mmx8
- 113 14mmx9
- 114 14mmx3
- 115 14mmx8
- 116 14mmx9
- 117 14mmx3
- 118 14mmx8
- 119 14mmx9
- 120 14mmx3
- 121 14mmx8
- 122 14mmx9
- 123 14mmx3
- 124 14mmx8
- 125 14mmx9
- 126 14mmx3
- 127 14mmx8
- 128 14mmx9
- 129 14mmx3
- 130 14mmx8
- 131 14mmx9
- 132 14mmx3
- 133 14mmx8
- 134 14mmx9
- 135 14mmx3
- 136 14mmx8
- 137 14mmx9
- 138 14mmx3
- 139 14mmx8
- 140 14mmx9
- 141 14mmx3
- 142 14mmx8
- 143 14mmx9
- 144 14mmx3
- 145 14mmx8
- 146 14mmx9
- 147 14mmx3
- 148 14mmx8
- 149 14mmx9
- 150 14mmx3
- 151 14mmx8
- 152 14mmx9
- 153 14mmx3
- 154 14mmx8
- 155 14mmx9
- 156 14mmx3
- 157 14mmx8
- 158 14mmx9
- 159 14mmx3
- 160 14mmx8
- 161 14mmx9
- 162 14mmx3
- 163 14mmx8
- 164 14mmx9
- 165 14mmx3
- 166 14mmx8
- 167 14mmx9
- 168 14mmx3
- 169 14mmx8
- 170 14mmx9
- 171 14mmx3
- 172 14mmx8
- 173 14mmx9
- 174 14mmx3
- 175 14mmx8
- 176 14mmx9
- 177 14mmx3
- 178 14mmx8
- 179 14mmx9
- 180 14mmx3
- 181 14mmx8
- 182 14mmx9
- 183 14mmx3
- 184 14mmx8
- 185 14mmx9
- 186 14mmx3
- 187 14mmx8
- 188 14mmx9
- 189 14mmx3
- 190 14mmx8
- 191 14mmx9
- 192 14mmx3
- 193 14mmx8
- 194 14mmx9
- 195 14mmx3
- 196 14mmx8
- 197 14mmx9
- 198 14mmx3
- 199 14mmx8
- 200 14mmx9

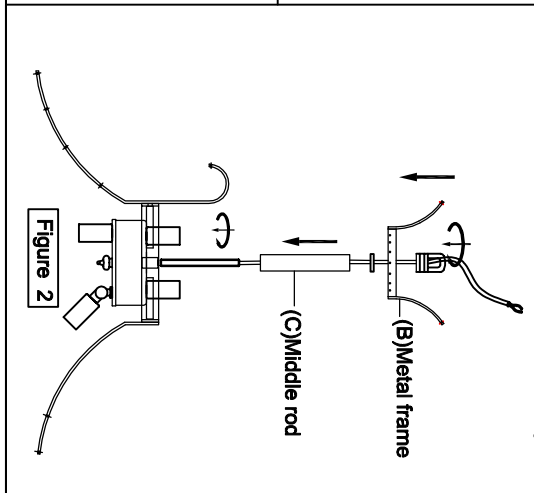
Hardware Contents		
PART	DESCRIPTION	QUANTITY
BB	Wire nut	2pcs
EE	Screw	2pcs



STEP 1 - Install Strap Iron to Fixture Body.



STEP 2 - Install Metal frame to Fixture Body.



STEP 3 - Install the Canopy Chain Loop and Nipple

- Outlet Box
- Hex Nut
- Lock Washer
- Crossbar
- Outlet Box Screw
- Nipple
- Canopy Chain Loop
- Ceiling Canopy
- Canopy Lock Ring

Figure 3

STEP 4 - Install the Fixture Chain and Ceiling Canopy

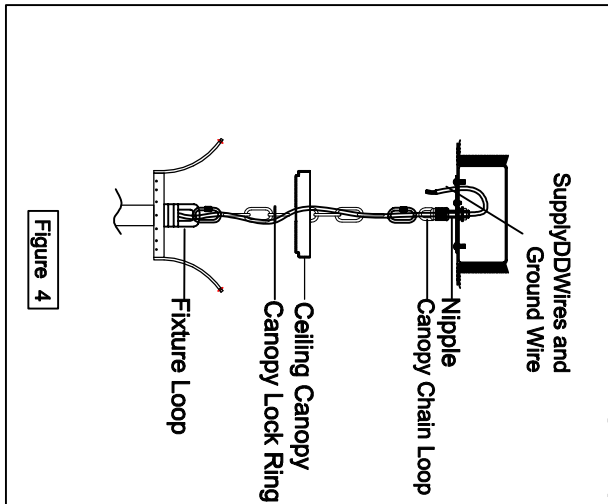


Figure 4

STEP 5 - Wire Connections

A. Use standard wire connectors (not included) to make all wire connections. Twist connectors until wires are tightly joined together. Wrap each connection with approved electrical tape and carefully stuff all the connected wires into the Outlet Box.

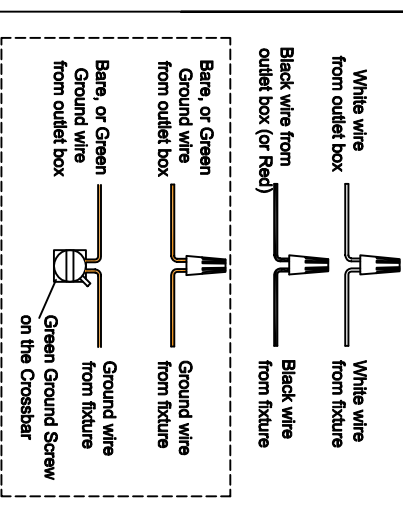


Figure 5

STEP 6 - Install Crystals and bulb.

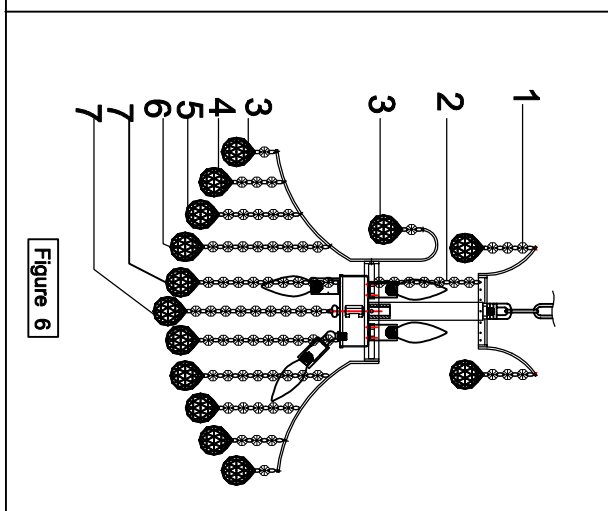


Figure 6