

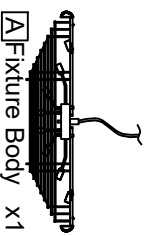
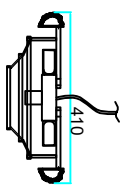

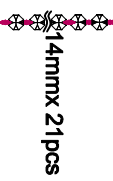

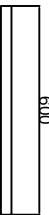



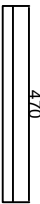
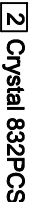
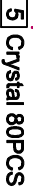
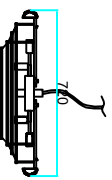
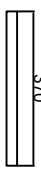


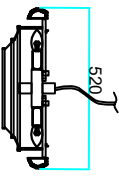
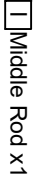
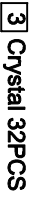
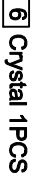


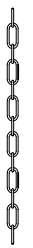
# Assembly Instruction Sheet #IS-8001P50C For Style 8001P50C

**Tools Required:** Flathead screwdriver, Phillips screwdriver, pliers, wire cutters, wire strippers, electrical tape, safety glasses.  
**Light Source:** (42) Candelabra Base Bulbs 60W Maximum (Not include).  
**Preparation:** Identify and inspect all parts before beginning installation. Check package content list and diagrams below to be sure all parts are present. If any parts are missing or damaged, do not attempt to assemble, install, or operate the fixture. Contact customer service for replacement parts.

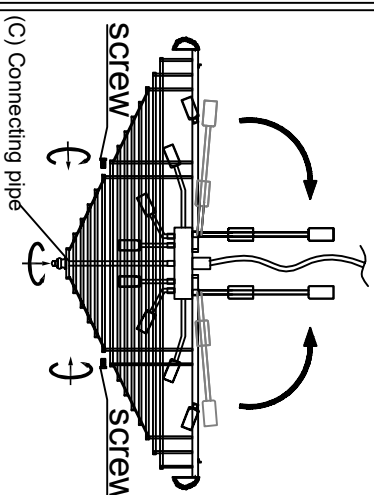
## ⚠ Warnings and Cautions

Turn off electricity at circuit breaker or main fuse box before installation. Consult a licensed electrician if in doubt. These instructions are provided for your safety. It is very important you read them completely before installing the fixture. We strongly recommend that a licensed, professional electrician perform the installation. Disconnect fixture from power source before replacing bulbs. Make sure bulbs are given sufficient time to cool before removal.

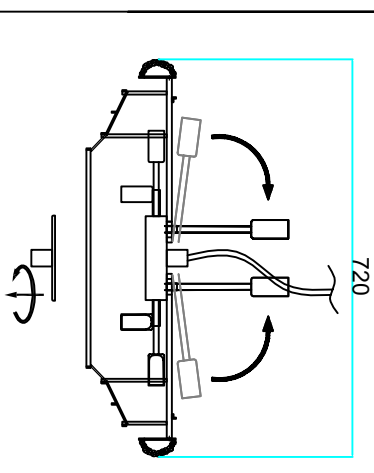
## Package Contents

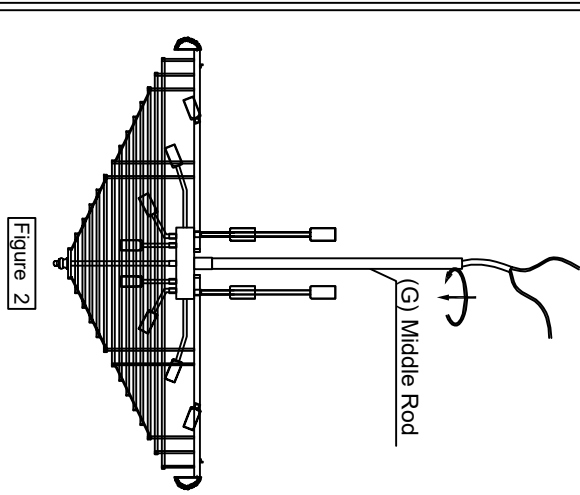
### STEP 1 - Install Metal frame.



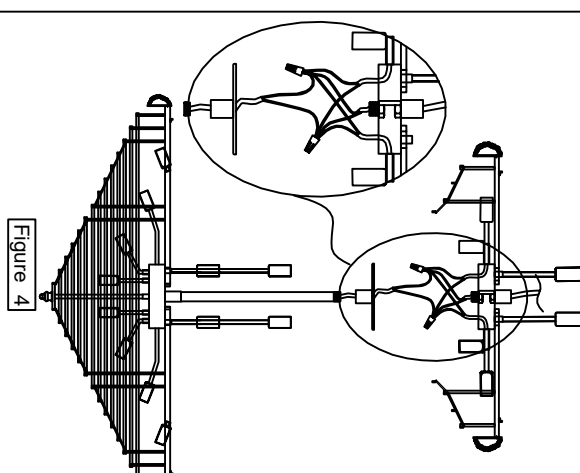
### STEP 3 - Loosen parts



### STEP 2 - Install Middle Rod



### STEP 4 - Wire Connections.



**STEP 5 - Install Middle Rod.**

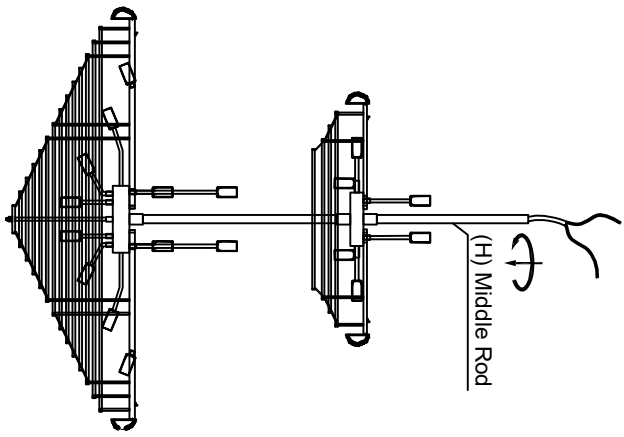


Figure 5

**STEP 6 - Loosen parts**

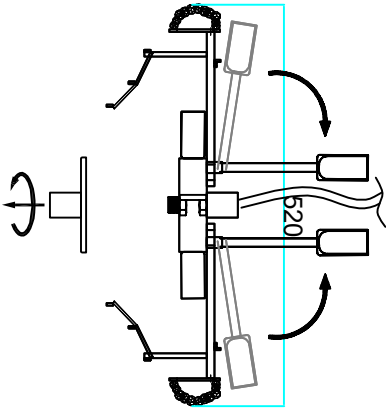


Figure 6

**STEP 7 - Wire Connections.**

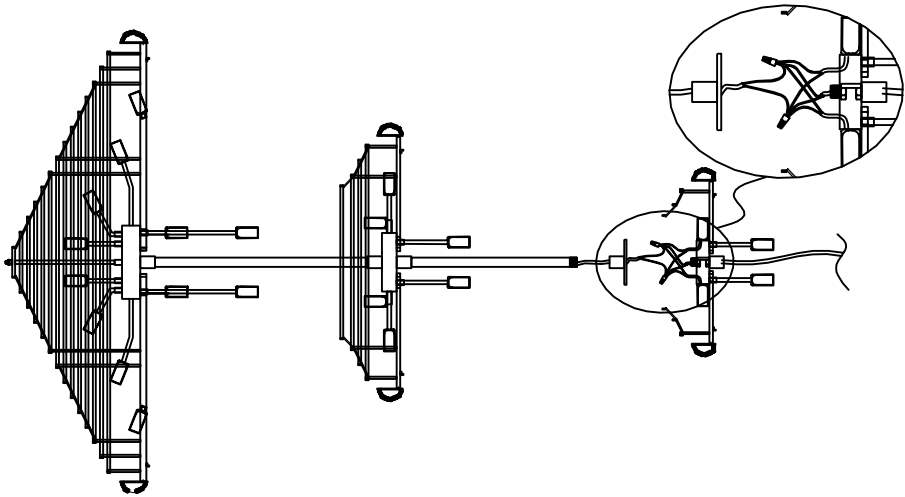


Figure 7

**STEP 8 - Wire Connections**

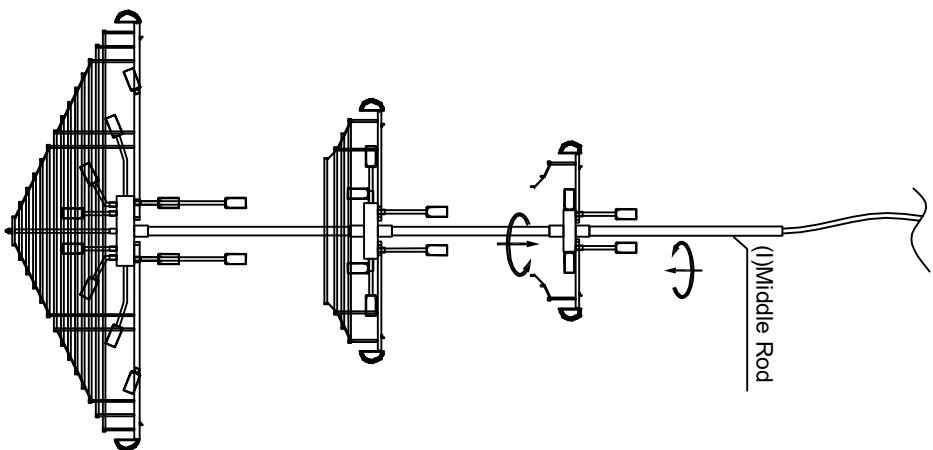


Figure 8

**STEP 9 - Install Plate.**

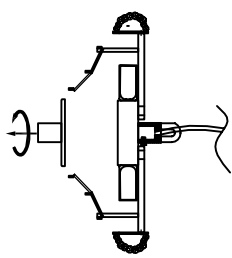


Figure 9

**STEP 10 - Wire Connections**

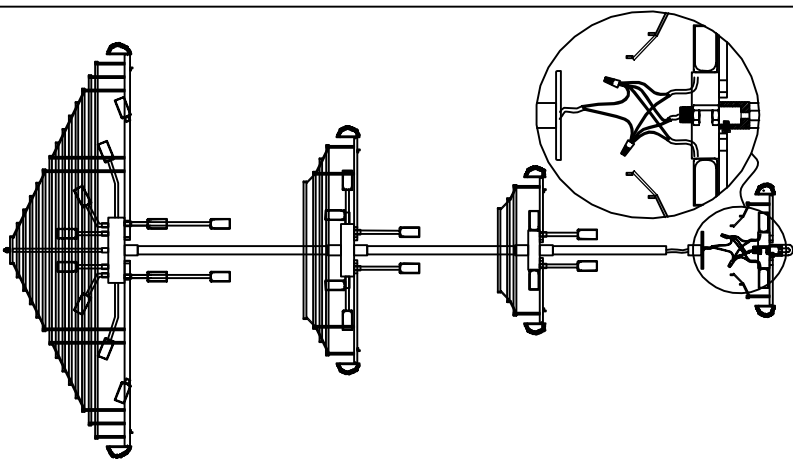


Figure 10

**STEP 11 - Install the Crossbar to the Ceiling**  
 A. Attach the round crossbar to the outlet box and secure the outlet box screws by hand tighten. Place the crossbar with hook to the ceiling and make (4) marks from the holes of the crossbar on the ceiling for anchors. Remove the crossbar and drill proper holes from the (4) marks for anchors. Insert anchors into drilled holes properly. Place crossbar, flat washers and spring washers onto the anchors and secure with hex nuts. Hand tighten until snug with pile.

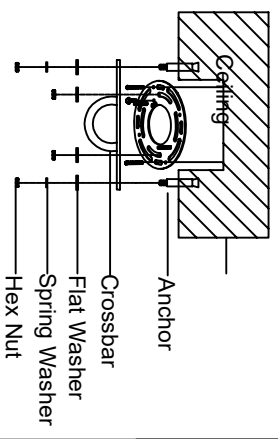


Figure11

**STEP 13 - Install Fixture to Crossbar**

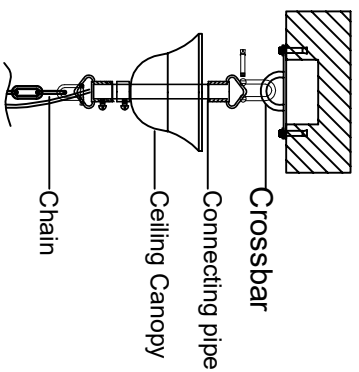


Figure13

**STEP 12 - Install Chain System and Fixture Body together**

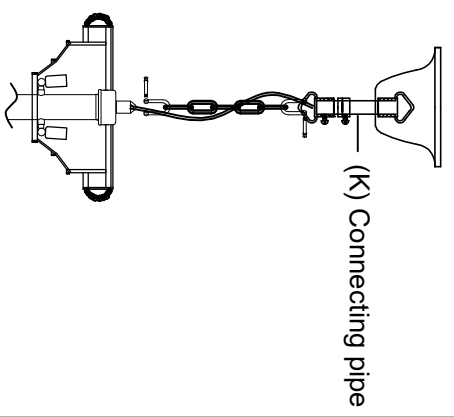


Figure12

**STEP 14 - Wire Connections**  
 A. Use standard wire connectors (not included) to make all wire connections. Twist connectors until wires are tightly joined together. Wrap each connection with approved electrical tape and carefully stuff all the connected wires into the Outlet Box.

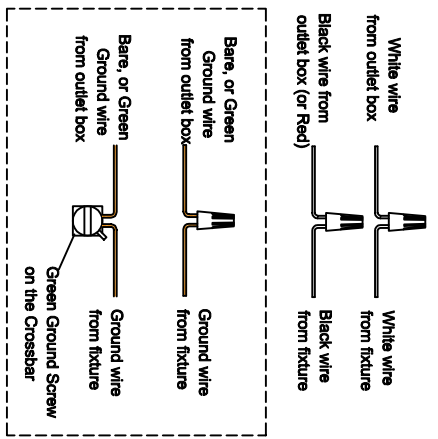
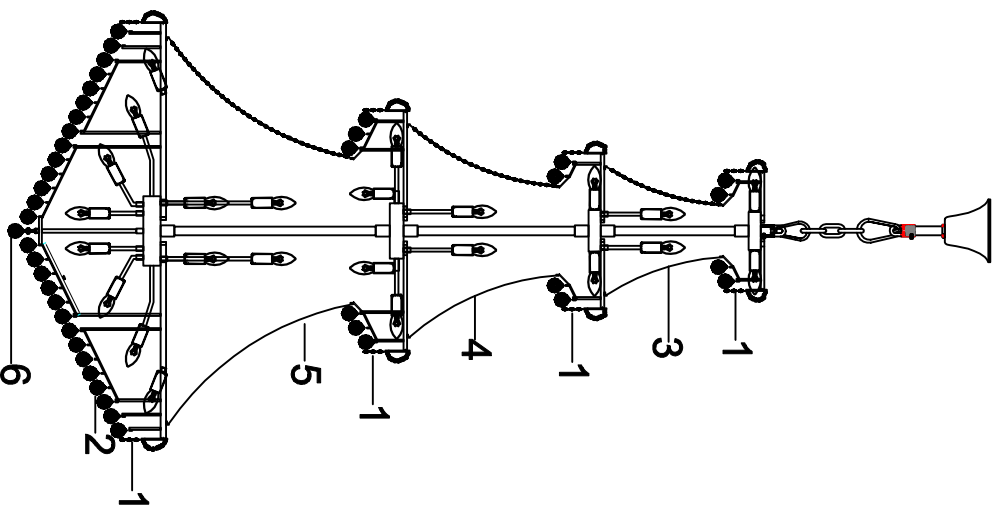


Figure14

**STEP 15 - Install Crystals and Bulbs.**



- 1 14mmx3pcs
- 1 Crystal 520PCS
- 4 14mmx 21pcs
- 4 Crystal 48PCS

- 2 40mmx1pcs
- 2 Crystal 832PCS
- 5 14mmx29pcs
- 5 Crystal 80PCS

- 3 14mmx16pcs
- 3 Crystal 32PCS
- 6 14mmx1pcs
- 6 Crystal 1PCS

**WARNING**  
 THIS FIXTURE IS VERY HEAVY  
 AND NEEDS TO BE REINFORCED  
 ACCORDINGLY