

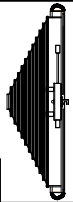
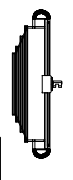
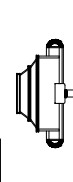
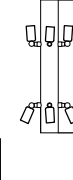
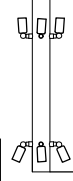
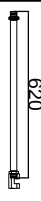

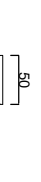
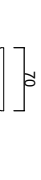
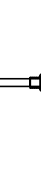
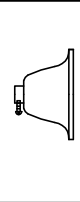
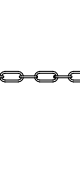

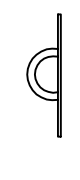
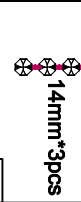

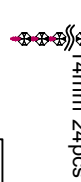

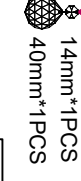
Assembly Instruction Sheet #IS-8001P42G For Style 8001P42G

Tools Required: Flathead screwdriver, Phillips screwdriver, pliers, wire cutters, wire strippers, electrical tape, safety glasses.
Light Source: (39) E12 Candelabra Base Bulbs 60W/Maximum(Not Include).
Preparation: Identify and inspect all parts before beginning installation. Check package content list and diagrams below to be sure all parts are present. If any parts are missing or damaged, do not attempt to assemble, install, or operate the fixture. Contact customer service for replacement parts.

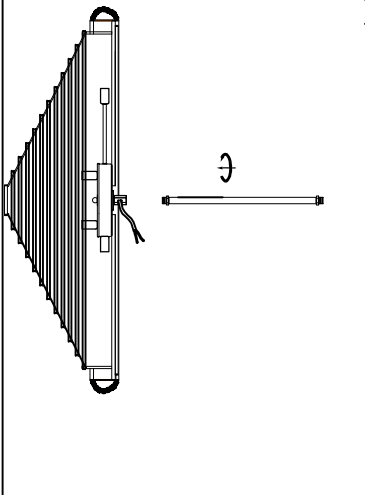
Warnings and Cautions

Turn off electricity at circuit breaker or main fuse box before installation. Consult a licensed electrician if in doubt. These instructions are provided for your safety. It is very important you read them completely before installing the fixture. We strongly recommend that a licensed, professional electrician perform the installation. Disconnect fixture from power source before replacing bulbs. Make sure bulbs are given sufficient time to cool before removal.


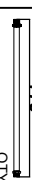
Package Contents

A  QTY X 1	B  QTY X 1	C  QTY X 1	D  QTY X 1	E  QTY X 1
F  QTY X 1	G  QTY X 1	H  QTY X 3	I  QTY X 2	J  QTY X 1
K  QTY X 1	L  QTY X 1	M  QTY X 1	N  QTY X 1	
1  QTY X392 Crystal	2  QTY X 598 Crystal	3  QTY X 40 Crystal	4  QTY X 64 Crystal	5  QTY X 1 Crystal

STEP 1

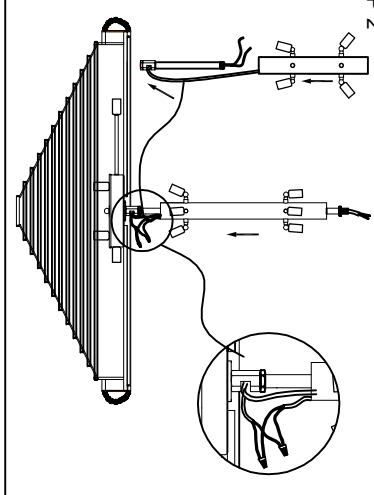


PARTS

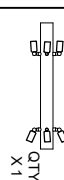
A  QTY X 1	G  QTY X 1
--	--

NOTE
assemble parts as shown

STEP 2

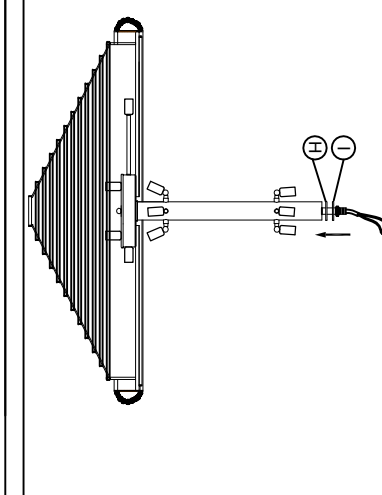


PARTS


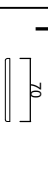
E  QTY X 1
--

NOTE
assemble parts as shown

STEP 3



PARTS

H  QTY X 1	I  QTY X 1
--	--

NOTE
assemble parts as shown

STEP 4

PARTS

B
QTY X 1

F
620
QTY X 1

NOTE
assemble parts as shown

STEP 5

PARTS

D
QTY X 1

NOTE
assemble parts as shown

STEP 6

PARTS

NOTE
assemble parts as shown

STEP 7

PARTS

H
50
QTY X 1

NOTE
assemble parts as shown

STEP 8

PARTS

C
QTY X 1

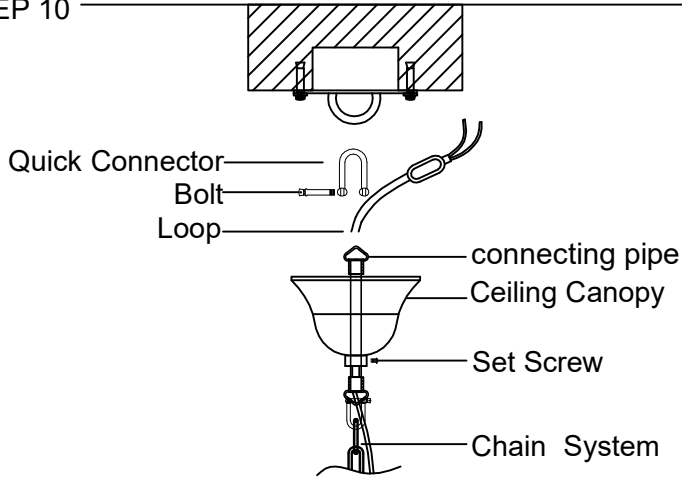
NOTE
assemble parts as shown

STEP 9

PARTS

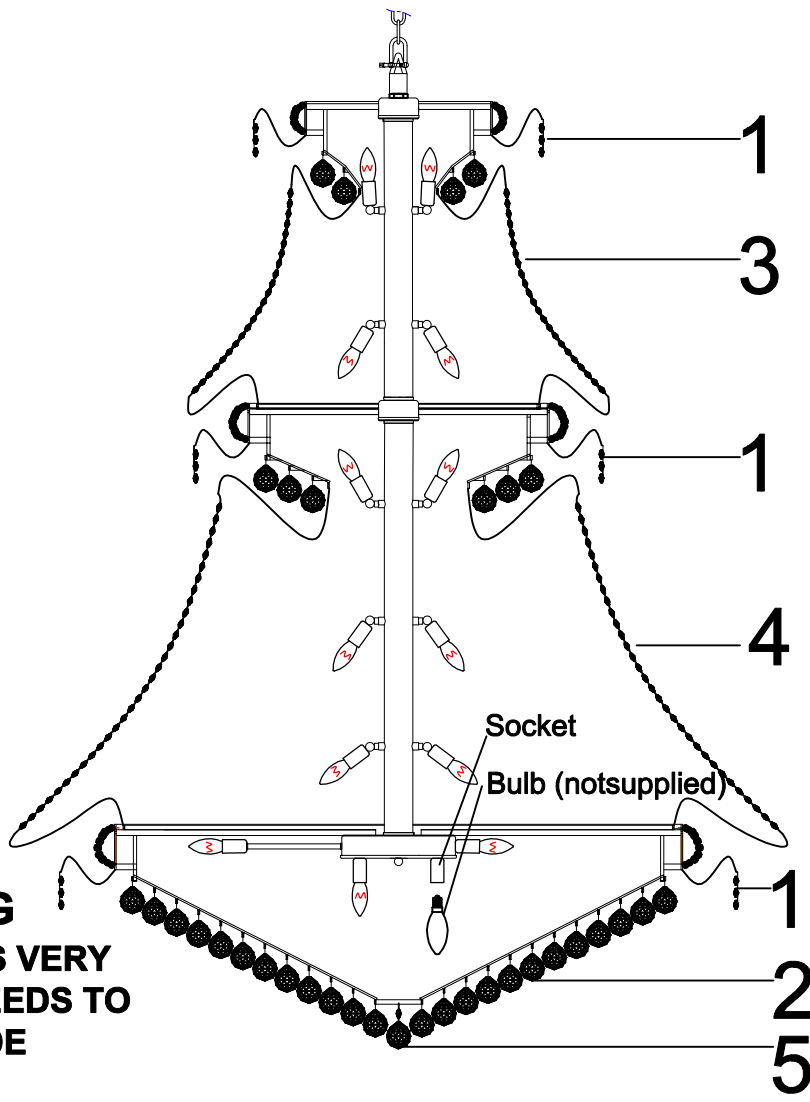
NOTE
assemble parts as shown

STEP 10



PARTS

NOTE
assemble parts
as shown



1		14mm*3pcs	QTY X392
Crystal			
2		40mm*1PCS	QTY X 598
Crystal			
3		14mm*24pcs	QTY X 40
Crystal			
4		14mm*33pcs	QTY X 64
Crystal			
5		14mm*1PCS 40mm*1PCS	QTY X 1
Crystal			

WARNING
THIS FIXTURE IS VERY
HEAVY AND NEEDS TO
BE REINFORCDE
ACCORDINGLY