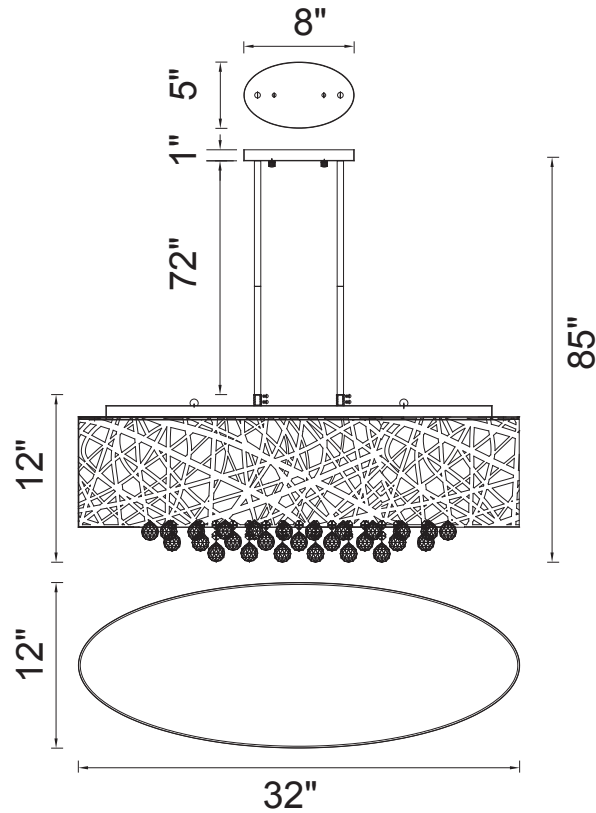




PROJECT: _____
 FIXTURE TYPE: _____
 LOCATION: _____
 CONTACT/PHONE: _____



Item	5008P32ST-O
Collection	ETERNITY
Category	Chandelier
Finish	Stainless Steel
Glass	-----
Crystal	Clear
Acrylic	-----

Shade Color	Chrome
Min Assembled Height	14"
Max Assembled Height	85"
Width	32"
Length	12"
Extension Wall Mounts	-----
Input	120V AC,60HZ,AC

Lumens	-----
Light Source	G9
Bulb Info.	8x40W
Included	-----
Dimmable	Yes
Colour Temp	-----
Weight	22.5 Lbs

CWI Lighting
 2775 Broadway
 Buffalo, NY 14227
 USA

CWI Lighting
 140 Steelcase Rd. W.
 Markham ON. L3R 3J9
 Canada

Dallas Showroom
 Showroom #: 4707
 2100 N. Stemmons Frwy.
 Dallas, TX 75207

Email: info@cwilighting.com
 Toll: 1-877-564-6034
 www.cwilighting.com

