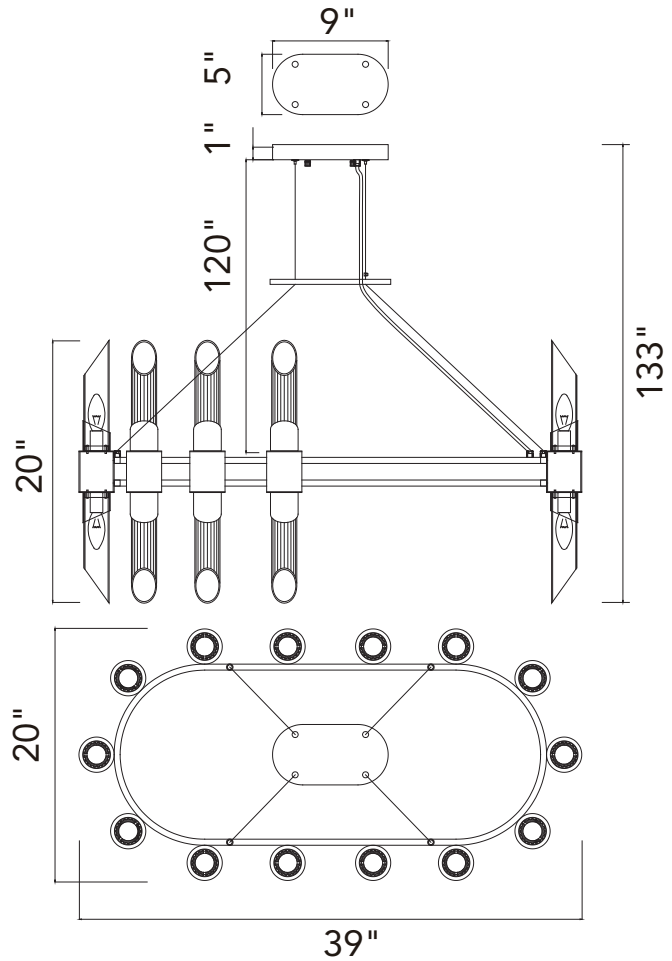




PROJECT: _____
 FIXTURE TYPE: _____
 LOCATION: _____
 CONTACT/PHONE: _____



Item	1269P39-28-602-O
Collection	CROISSANT
Category	Chandelier
Finish	Satin Gold
Glass	Clear
Crystal	-----
Acrylic	-----

Shade Color	-----
Min Assembled Height	33"
Max Assembled Height	133"
Width	39"
Length	20"
Extension Wall Mounts	-----
Input	120V AC,60HZ,AC

Lumens	-----
Light Source	E12
Bulb Info.	28x60W
Included	-----
Dimmable	Yes
Colour Temp	-----
Weight	38.7 Lbs

CWI Lighting
 2775 Broadway
 Buffalo, NY 14227
 USA

CWI Lighting
 140 Steelcase Rd. W.
 Markham ON. L3R 3J9
 Canada

Dallas Showroom
 Showroom #: 4707
 2100 N. Stemmons Frwy.
 Dallas, TX 75207

Email: info@cwilighting.com
 Toll: 1-877-564-6034
www.cwilighting.com

