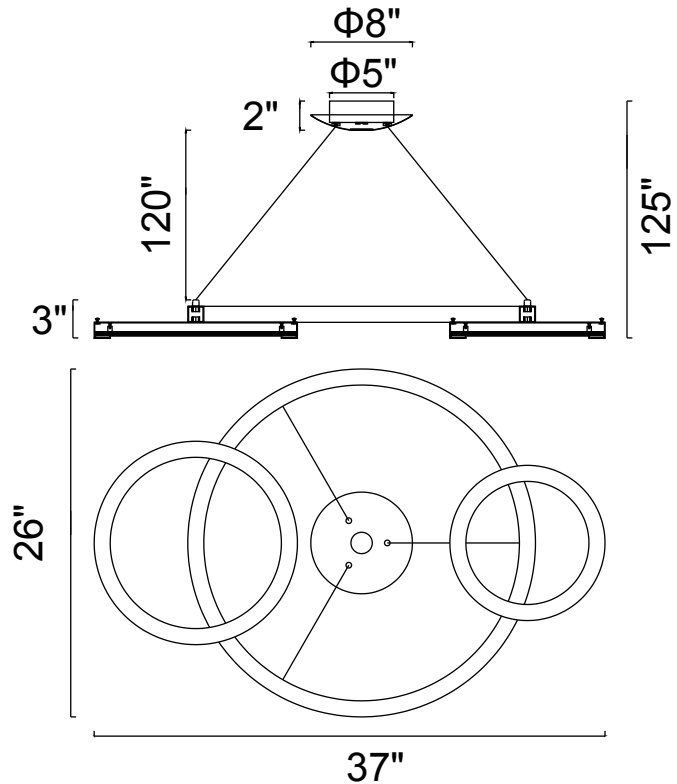


PROJECT: _____

FIXTURE TYPE: _____

LOCATION: _____

CONTACT/PHONE: _____



| | |
|------------|------------------|
| Item | 1215P37-2-625 |
| Collection | Deux Lunes |
| Category | Chandelier |
| Finish | Sun Gold & Black |
| Glass | ----- |
| Crystal | ----- |
| Acrylic | Frosted |

| | |
|-----------------------|-----------------|
| Shade Color | ----- |
| Min Assembled Height | 17" |
| Max Assembled Height | 125" |
| Width | 37" |
| Length | 26" |
| Extension Wall Mounts | ----- |
| Input | 120V AC,60HZ,AC |

| | |
|--------------|----------------|
| Lumens | 1092 |
| Light Source | Integrated LED |
| Bulb Info. | 21W |
| Included | Yes |
| Dimmable | Yes |
| Colour Temp | 3000K |
| Weight | 23.4 Lbs |