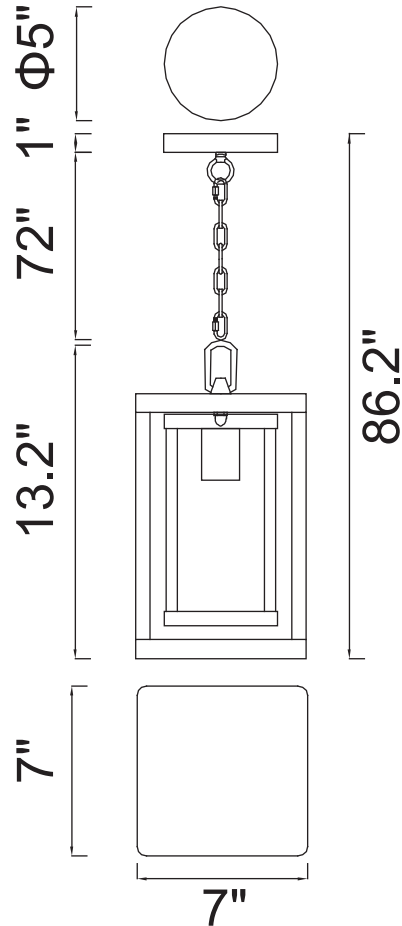




PROJECT: \_\_\_\_\_  
 FIXTURE TYPE: \_\_\_\_\_  
 LOCATION: \_\_\_\_\_  
 CONTACT/PHONE: \_\_\_\_\_



Item	0415P7-1-101	Shade Color	-----	Lumens	-----
Collection	MULVANE	Min Assembled Height	14.2"	Light Source	E26
Category	Outdoor Pendant	Max Assembled Height	86.2"	Bulb Info.	1×60W
Finish	Black	Width	7"	Included	-----
Glass	Clear	Length	7"	Dimmable	Yes
Crystal	-----	Extension Wall Mounts	-----	Colour Temp	-----
Acrylic	-----	Input	120V AC,60HZ,AC	Weight	6.3 Lbs
Coastal/Marine Grade	No	Title 24 Compliant	No	Frame Material	Aluminum

CWI Lighting  
 2775 Broadway  
 Buffalo, NY 14227  
 USA

CWI Lighting  
 140 Steelcase Rd. W.  
 Markham ON. L3R 3J9  
 Canada

Dallas Showroom  
 Showroom #: 4707  
 2100 N. Stemmons Frwy.  
 Dallas, TX 75207

Email: [info@cwilighting.com](mailto:info@cwilighting.com)  
 Toll: 1-877-564-6034  
[www.cwilighting.com](http://www.cwilighting.com)

