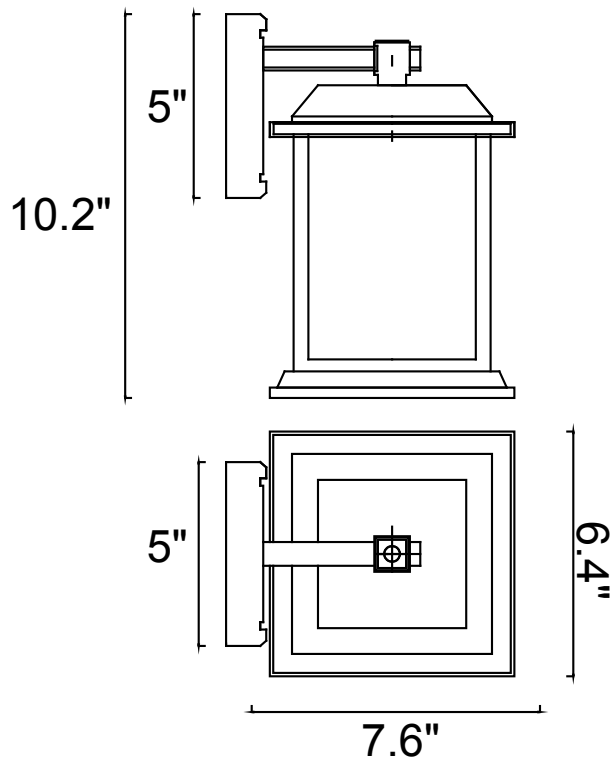




PROJECT: _____
 FIXTURE TYPE: _____
 LOCATION: _____
 CONTACT/PHONE: _____



| | |
|----------------------|--------------------|
| Item | 0409W8-1-101 |
| Collection | BLACKBRIDGE |
| Category | Outdoor Wall Light |
| Finish | Black |
| Glass | Clear |
| Crystal | ----- |
| Acrylic | ----- |
| Coastal/Marine Grade | No |

| | |
|-----------------------|-----------------|
| Shade Color | ----- |
| Min Assembled Height | 10.2" |
| Max Assembled Height | 10.2" |
| Width | 6.4" |
| Length | ----- |
| Extension Wall Mounts | 7.6" |
| Input | 120V AC,60HZ,AC |
| Title 24 Compliant | No |

| | |
|----------------|----------|
| Lumens | ----- |
| Light Source | E26 |
| Bulb Info. | 1×60W |
| Included | ----- |
| Dimmable | Yes |
| Colour Temp | ----- |
| Weight | 4.5 Lbs |
| Frame Material | Aluminum |

CWI Lighting
 2775 Broadway
 Buffalo, NY 14227
 USA

CWI Lighting
 140 Steelcase Rd. W.
 Markham ON. L3R 3J9
 Canada

Dallas Showroom
 Showroom #: 4707
 2100 N. Stemmons Frwy.
 Dallas, TX 75207

Email: info@cwilighting.com
 Toll: 1-877-564-6034
 www.cwilighting.com

