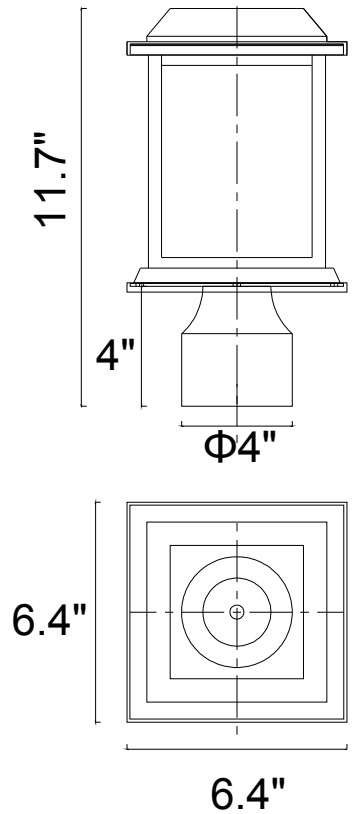




PROJECT: _____
 FIXTURE TYPE: _____
 LOCATION: _____
 CONTACT/PHONE: _____



Item	0409PT6-1-101	Shade Color	-----	Lumens	-----
Collection	BLACKBRIDGE	Min Assembled Height	11.7"	Light Source	E26
Category	Outdoor Lantern Head	Max Assembled Height	11.7"	Bulb Info.	1×60W
Finish	Black	Width	6.4"	Included	-----
Glass	Clear	Length	6.4"	Dimmable	Yes
Crystal	-----	Diameter	-----	Colour Temp	-----
Acrylic	-----	Input	120V AC,60HZ,AC	Weight	4.4 Lbs
Coastal/Marine Grade	No	Title 24 Compliant	No	Frame Material	Aluminum

CWI Lighting
 2775 Broadway
 Buffalo, NY 14227
 USA

CWI Lighting
 140 Steelcase Rd. W.
 Markham ON. L3R 3J9
 Canada

Dallas Showroom
 Showroom #: 4707
 2100 N. Stemmons Frwy.
 Dallas, TX 75207

Email: info@cwilighting.com
 Toll: 1-877-564-6034
www.cwilighting.com

