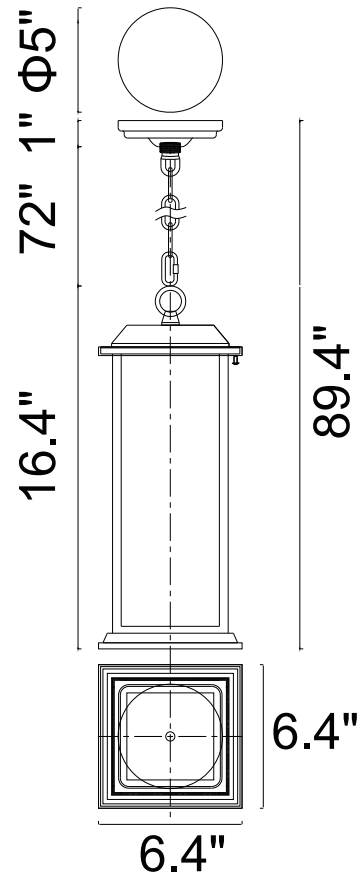


PROJECT: _____

FIXTURE TYPE: _____

LOCATION: _____

CONTACT/PHONE: _____



Item	0409P6-1-101
Collection	BLACKBRIDGE
Category	Outdoor Pendant
Finish	Black
Glass	Clear
Crystal	-----
Acrylic	-----
Coastal/Marine Grade	No

Shade Color	-----
Min Assembled Height	17.4"
Max Assembled Height	89.4"
Width	6.4"
Length	6.4"
Extension Wall Mounts	-----
Input	120V AC,60HZ,AC
Title 24 Compliant	No

Lumens	-----
Light Source	E26
Bulb Info.	1×60W
Included	-----
Dimmable	Yes
Colour Temp	-----
Weight	7.20 Lbs
Frame Material	Aluminum